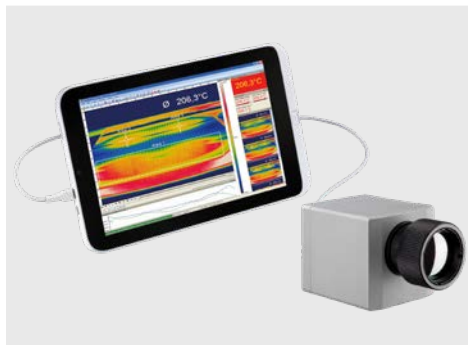
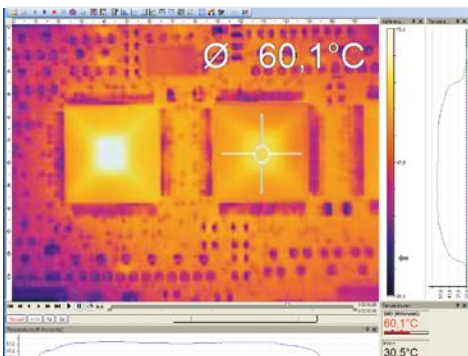


**Small IR camera ideal
for fast processes**

Features:

- Outstanding price performance ratio
- Temperature range from –20 until 1500 °C
- High frame rate of 120 Hz
- Compact size: 45 x 45 x 62 mm



Further information as well as the product configurator at www.optris.global/thermal-imager-optris-pi160

Technical specifications

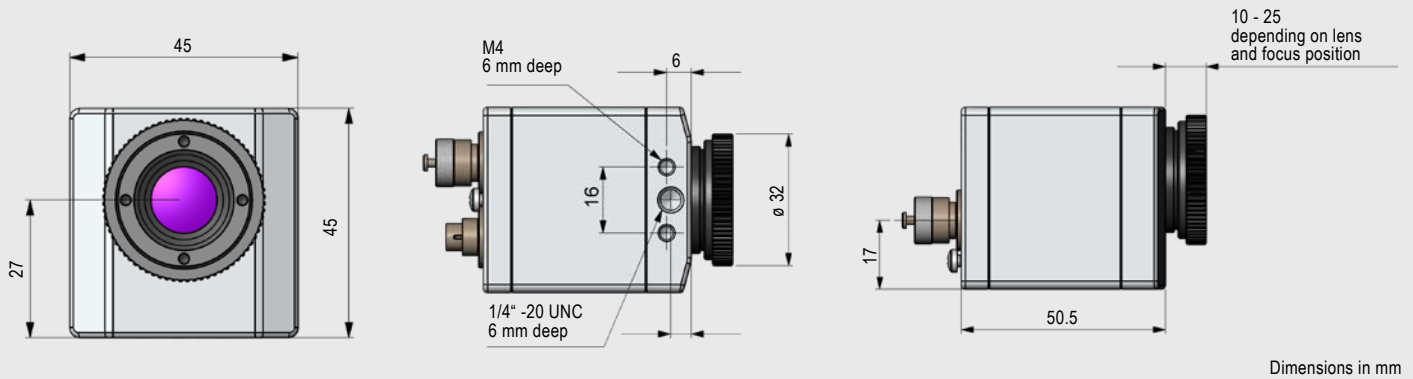
Optical resolution	160 x 120 Pixel
Detector	FPA, uncooled (25 µm x 25 µm)
Spectral range	7,5 – 13 µm
Temperature ranges	–20 ... 100 °C, 0 ... 250 °C, (20) 150 ... 900 °C ¹⁾ , optional temperature range: 200 ... 1500 °C ²⁾
Frame rate	120 Hz
Optics (FOV)	6° x 5° FOV / f = 35.5 mm or 23° x 17° FOV / f = 10 mm or 41° x 31° FOV / f = 5.7 mm or 72° x 52° FOV / f = 3.3 mm
Thermal sensitivity (NETD)	0.08 K with 23° x 17° FOV / F = 0.8 0.3 K with 6° x 5° FOV / F = 1.6 0.1 K with 41° x 31° FOV and 72° x 52° FOV / F = 1
Accuracy	±2 °C or ±2 %, whichever is greater
PC interfaces	USB 2.0 / optional USB to GigE (PoE) interface
Standard process interface (PIF)	0–10 V input, digital input (max. 24 V), 0–10 V output
Industrial process interface (PIF)	2x 0–10 V input, digital input (max. 24 V), 3x 0–10 V output, 3x relays (0–30 V/ 400 mA), fail-safe relay
Cable length (USB)	1 m (standard), 5 m, 10 m, 20 m 5 m and 10 m are also available as high temperature cable (180 or 250 °C)
Ambient temperature	0 ... 50 °C
Storage temperature	–40 ... 70 °C
Relative humidity	20–80 %, non condensing
Enclosure (size / rating)	45 mm x 45 mm x 62 mm / IP 67 (NEMA 4)
Weight	195 g, lens included
Shock / Vibration ³⁾	IEC 60068-2
Tripod mount	¼-20 UNC
Power supply	via USB
Scope of supply (Standard)	<ul style="list-style-type: none"> • USB camera, 1 lens included • USB cable (1 m) • Table tripod • Standard PIF with cable (1 m), terminal block included • Software package optris® PIX Connect • Aluminium case

¹⁾ Accuracy effective starting at 150 °C

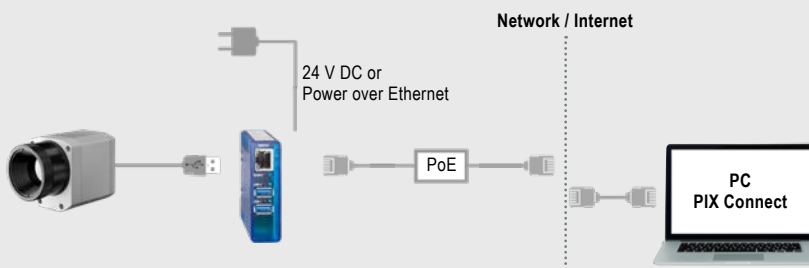
²⁾ The additional measuring range is not available for 72° HFOV

³⁾ For further details see operator's manual.

Dimensions



Process integration

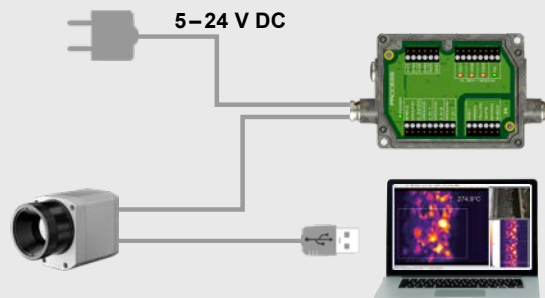


optris® USB-Server Gigabit 2.0

- Network connection via Gigabit Ethernet
- Full TCP/IP support incl. routing and DNS
- Two independent USB ports
- Power via PoE or external voltage supply at 24 – 48 V DC
- Galvanic isolation 500 V_{RMS}
- Remotely configurable via web based management

For further information please visit

www.optris.global/usb-server-gigabit

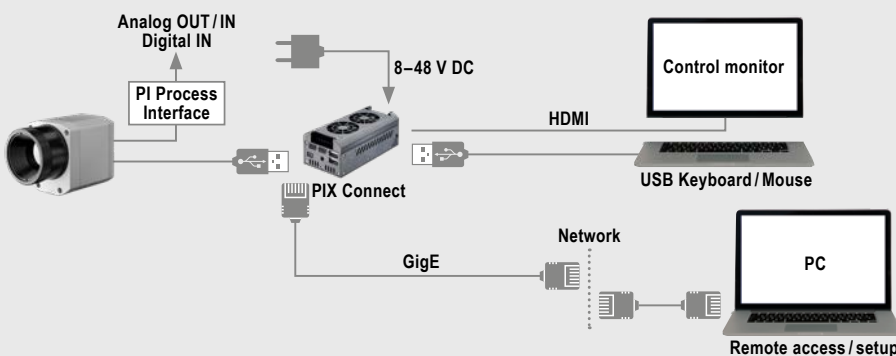


optris® Industrial Prozess Interface

- Use of camera for process monitoring in industrial environments
- Continuous fail safe monitoring of imager, software and cable connections
- 3 analog/ alarm outputs, 2 analog inputs, 1 digital input, 3 alarm relays, 1 fail-safe relay

For further information please visit

www.optris.global/thermal-imager-optris-pi160



optris® PI NetBox

- Miniature PC as add-on to the PI series for stand-alone system
- Integrated hardware and software watchdog
- Connections: 2x USB 2.0, 1x USB 3.0, 1x Mini-USB 2.0, Micro-HDMI, Ethernet (Gigabit Ethernet), micro SDHC / SDXC card

For further information please visit

www.optris.global/pi-netbox